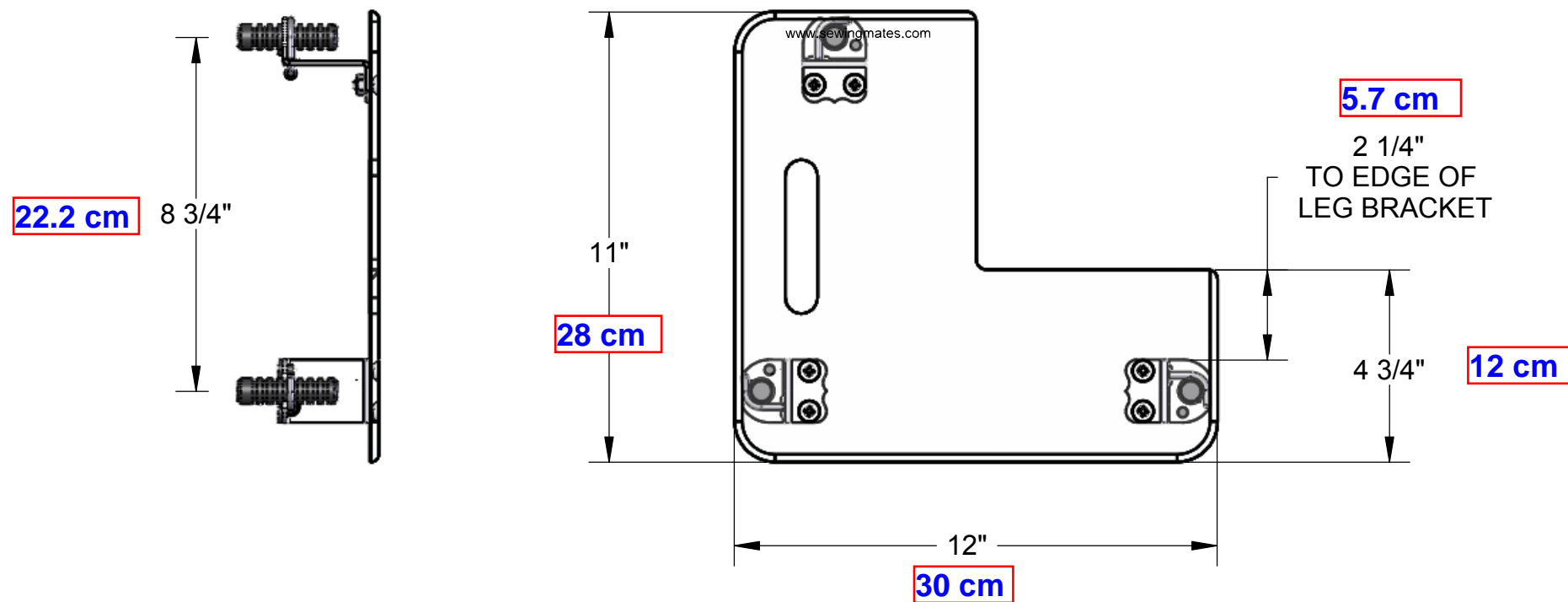


12 x 11 Sew-Adjustable Mini-MATE

30 cm x 28 cm



Measurements D In Metric
 Legs on all models of the table adjust from 6.4 cm to 11.4 cm in 3mm increments or down to 6.4 cm by removing leg extensions

A short leg option gives a range of 6.4 cm to 10 cm and 5.7 cm by removing leg extensions. Available on request



LEGS ON ALL MODELS OF THE TABLE ADJUST FROM 2-3/4" TO 4-1/2" IN 1/8" INCREMENTS OR DOWN TO 2-1/2" BY REMOVING LEG EXTENSIONS

A SHORT LEG OPTION GIVES A RANGE OF 2-1/2 TO 4" AND 2-1/4" BY REMOVING LEG EXTENSIONS. AVAILABLE ON REQUEST.