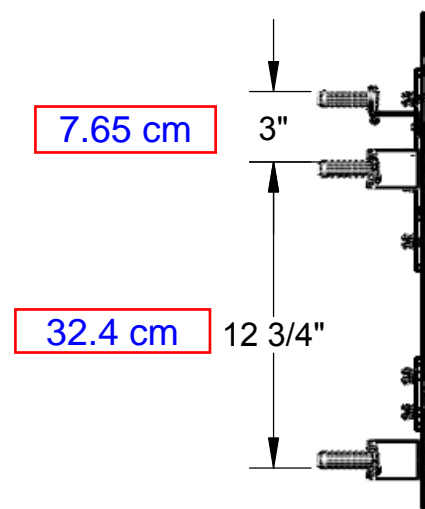


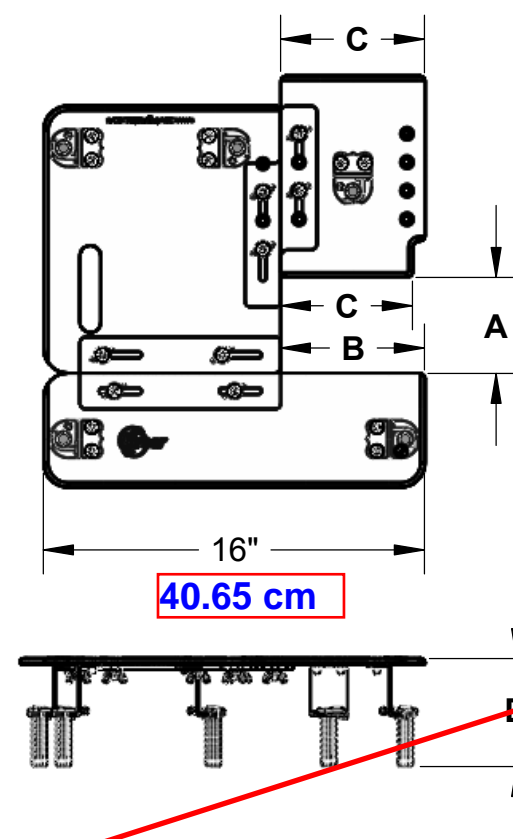
# 16 x 16 Sew-Adjustable

40.65 cm x 40.65 cm

MAXIMUM ADDITIONAL  
LEG SPACING AT LARGEST  
OPENING ADJUSTMENT



MINIMUM DISTANCE  
BETWEEN FRONT AND  
BACK LEGS



14 cm or 15.25 cm

C) ADJUSTS TO 5-1/2" OR 6" LONG ON THE BACK OF THE FREEARM OR SEWING BED BY REVERSING THE BACK ADJUSTER

CUSTOM BACK ADJUSTERS CAN BE ORDERED FOR SPECIAL REQUIREMENTS

A) ADJUSTS FOR FREEARMS OR SEWING BEDS FROM 2-1/2" TO 7-1/2" WIDE

6.4 cm to 17.8 cm

B) ADJUSTS FOR FREEARMS OR SEWING BEDS FROM 4" TO 7" LONG ON THE FRONT

10.2 cm to 17.8 cm

D) LEGS ON ALL MODELS OF THE TABLE ADJUST FROM 2-3/4" TO 4-1/2" IN 1/8" INCREMENTS OR DOWN TO 2-1/2" BY REMOVING LEG EXTENSIONS

A SHORT LEG OPTION GIVES A RANGE OF 2-1/2" TO 4" AND 2-1/4" BY REMOVING LEG EXTENSIONS. AVAILABLE ON REQUEST.

## Measurement D in Metric

Legs on all Models of the table adjust from 6.4 cm to 11.4 cm in 3mm increments or down to 6.4 cm by removing leg extensions

A short leg option gives a range of 6.4 cm to 10.16 cm and 5.7 cm by removing leg extensions. Available upon request